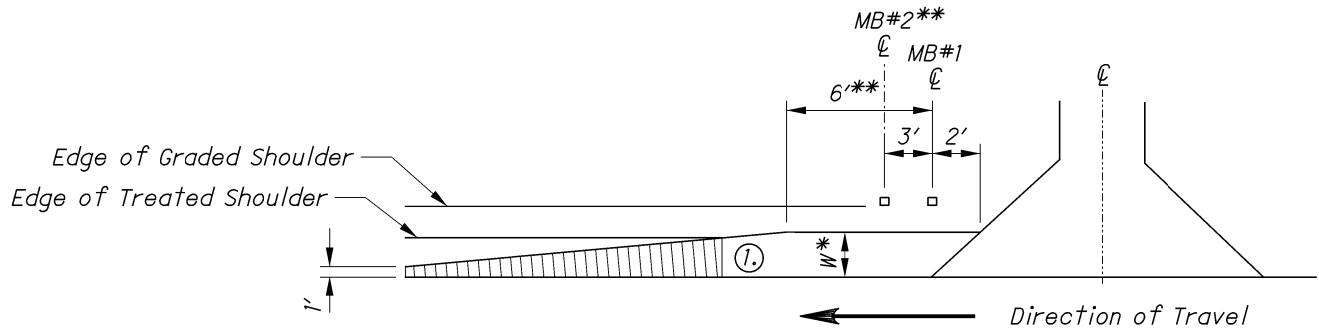


MAILBOX FACILITIES

803-1

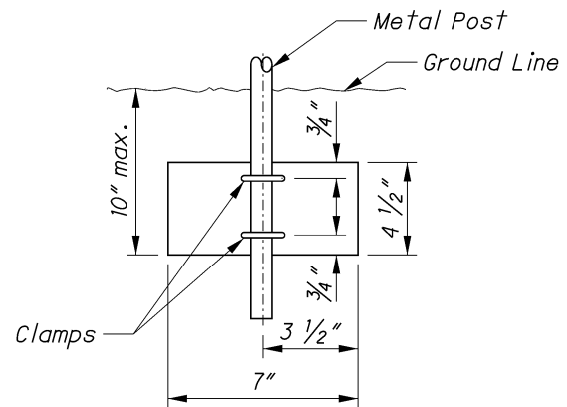
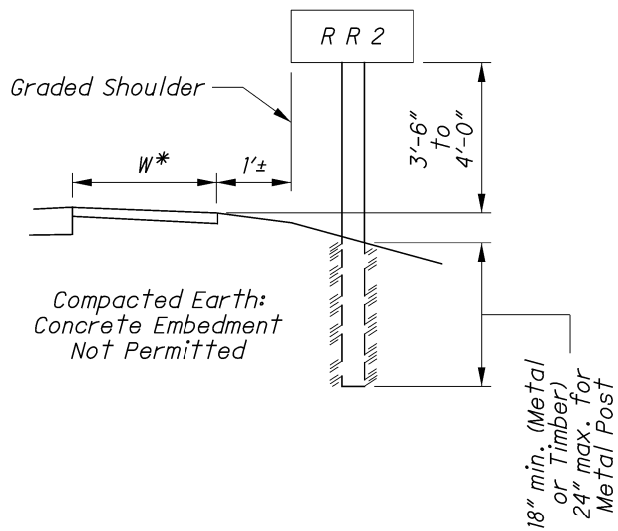
REFERENCE SECTION
803.1



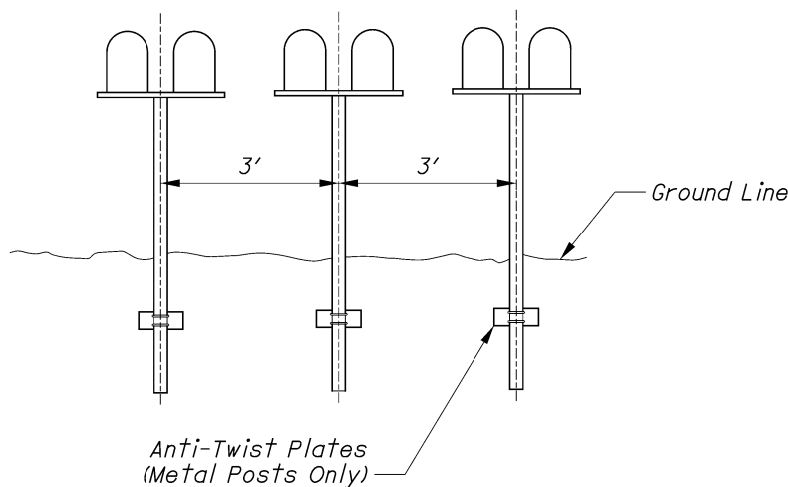
(1) End mailbox turnout at edge of treated shoulder or 1' which ever is greater

* Where posts are behind guardrail, turnout shall extend to face of guardrail. Where no guardrail is required, turnout width shall be 6' minimum.

** Add 3' for each additional mailbox



ANTI-TWIST PLATE



Anti-Twist Plates
(Metal Posts Only)

GROUP MAILBOX INSTALLATION