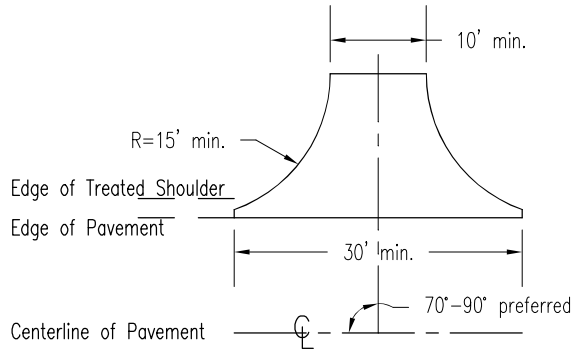


DRIVEWAY STANDARD DESIGN DETAILS

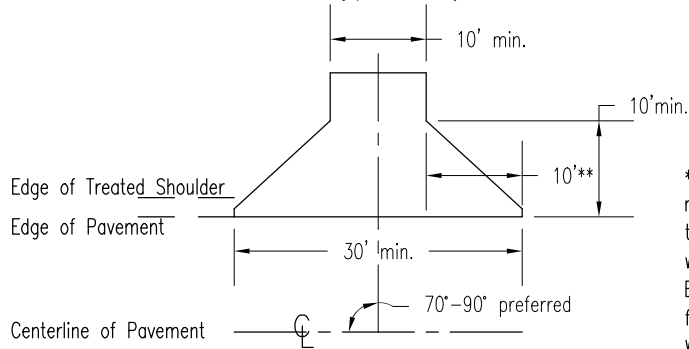
RESIDENTIAL DRIVEWAY

Plan View - Typical Layout Radius



RESIDENTIAL DRIVEWAY

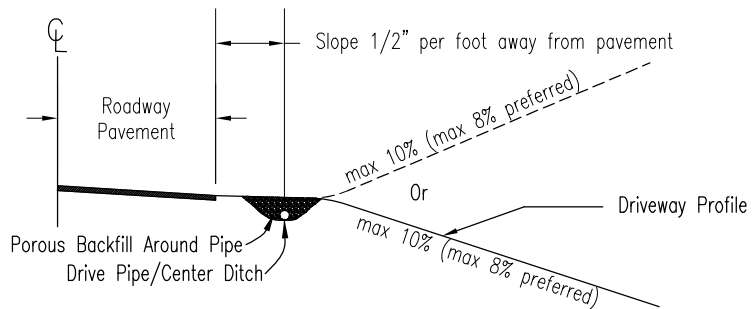
Plan View - Typical Layout Flare



**10' can be reduced according to main driveway being wider such that drive width + (2 x flare width) = 30' (min width at road)
Example: 14' drive width with 8' flare width per side = 30' min width at road

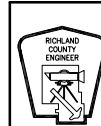
DRIVEWAY PROFILE

Typical Profile of Centerline of Drive



NOTE: Driveway must remain below existing edge of pavement for a minimum of six feet from edge. Asphalt recommended for first six feet from edge of pavement on concrete driveways.

DATE: 9/9/20



Adam M. Gove, P.E., P.S.
RICHLAND COUNTY ENGINEER
77 NORTH MULBERRY STREET
MANSFIELD, OHIO 44902

419-774-5591

Fax 419-774-5539